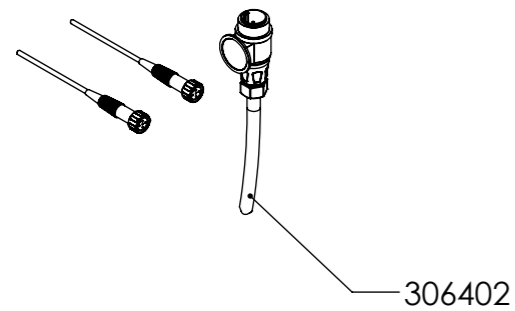
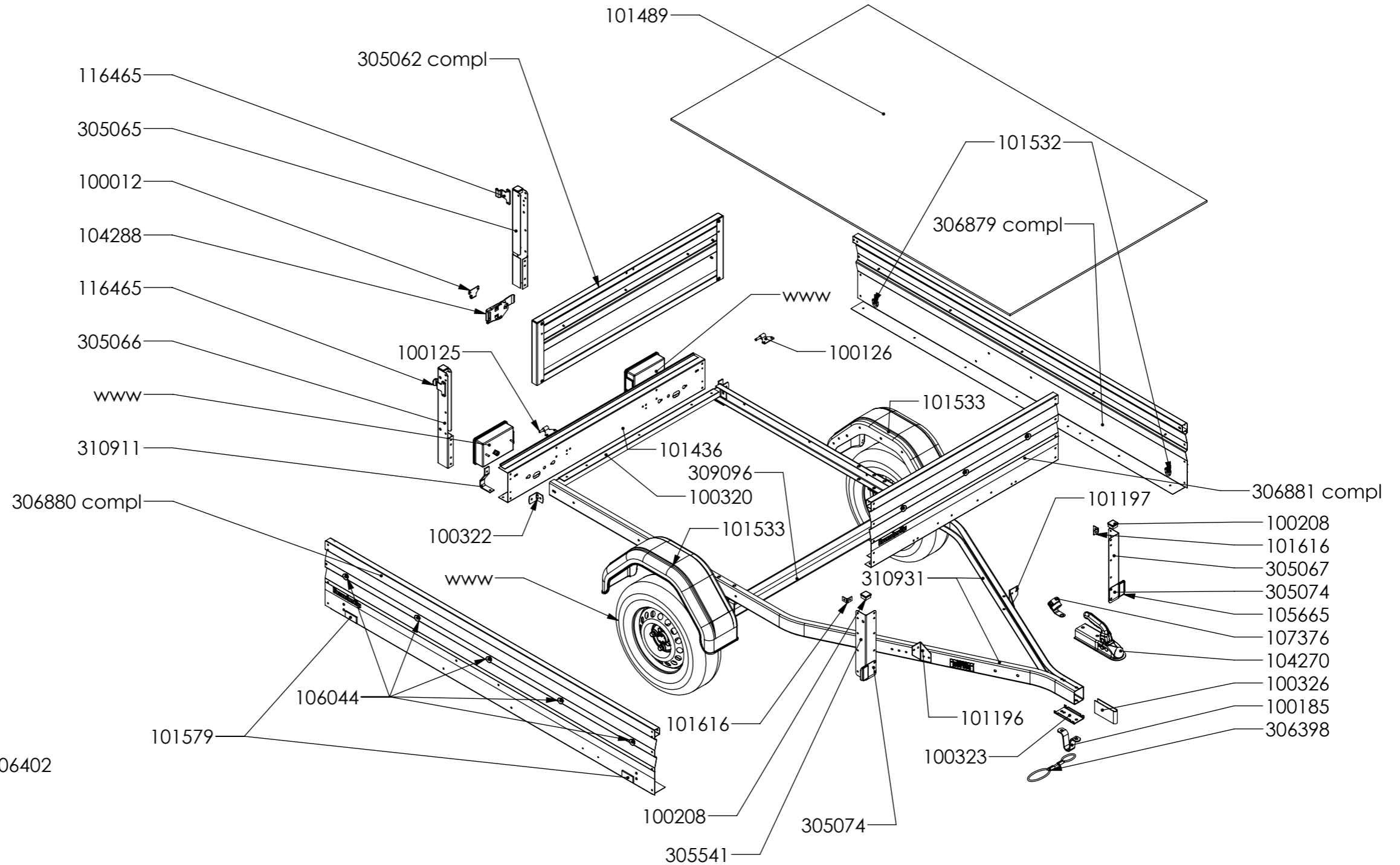


This drawing must not without Brenderup AB permission be copied, imported to a third party or otherwise used without authorisation. Contravention will be prosecuted.

Rev no:	Rev date:	Exec by:	Rev description:
0	210330	JoAth	
0	210316	JoAth	Updated drawing
0	210113	JoAth	



Item nr
311083
311326

Surface treatment:		Material:	
<b>Brenderup Group</b>			
Scale	Weight	Replaces	Welding acc. to:
1:20	126 Kg		ISO 2768:
Tolerance acc. to:		Radius acc. to:	
ISO 2768:			
Date		Constr. by	Appr. by
		JoAth	JoAth
Item No:		Rev.	
311083		0	

WWW = See webpage for your trailers correct article number

Rev no: Rev date: Exec by: Rev description:  
 0 210330 JoAth  
 0 210316 JoAth Updated drawing  
 0 210113 JoAth

ItemNo	Description	QTY.
100012	HINGE	2
100125	HINGE PIN SHORT	1
100126	HINGE PIN LONG	1
100185	GROUND SUPPORT	1
100208	END CAP	4
100320	CROSS BAR	1
100322	ANGLE BRACKET LIGHT BEAM	2
100323	COUPLING BASE PLATE	1
100326	DISTANCE FORK COUPLING	1
101196	BRACKET DRAWBAR RIGHT	1
101197	BRACKET DRAWBAR LEFT	1
101436	LIGHT PROFILE	1
101489	PLYWOOD FLOOR	1
101532	RESTRAINT EYE	4
101533	MUDGUARD	2
101579	REFLECTOR YELLOW	4
101616	ANGLE BRACKET CORNER POST	2
104270	COUPLING	1
104288	GATE LOCK	2
105665	REFLECTOR WHITE	2
106044	BUTTON FOR COVERS BLACK	16
107376	PLUG HOLDER	1
116465	BRACKET GATE LOCK	2
305062	REAR BOARD COMPLETE	1
305065	CORNER POST REAR LEFT	1
305066	CORNER POST REAR RIGHT	1
305067	CORNER POST FRONT LEFT	1
305074	REFLECTOR HOLDER	2
305541	CORNER POST FRONT RIGHT	1
306398	SAFETY STEEL ROPE	1
306402	CABLE	1
306879	SIDEBOARD LEFT COMPLETE	1
306880	SIDEBOARD RIGHT COMPLETE	1
306881	FRONT BOARD COMPLETE	1
309096	AXLE UNBRAKED	1
310911	GROUND SUPPORT BRACKET	2
310931	DRAWBAR	2